



20Z-METER

PUTZMEISTER
TRUCK-MOUNTED
CONCRETE BOOM PUMP



Features a Four-Section Z-Fold Boom
Compact Design for Exceptional Maneuverability
Easily Tackles Low Ceiling Heights and Placement Challenges
63-foot 10-inch Reach
Swivel Elbow Off the Back-End with a 90-Degree Pivot
Can Be Used for a Variety of Applications
Easily Moves Around Obstacles

1% of proceeds will be donated to
Camelot for Children

Maison Concrete Placement Systems
949 Sumner Ave, Whitehall, PA 18052
Phone: (610) 821-1325 Fax: (610) 821-1326
www.maisonpumping.com

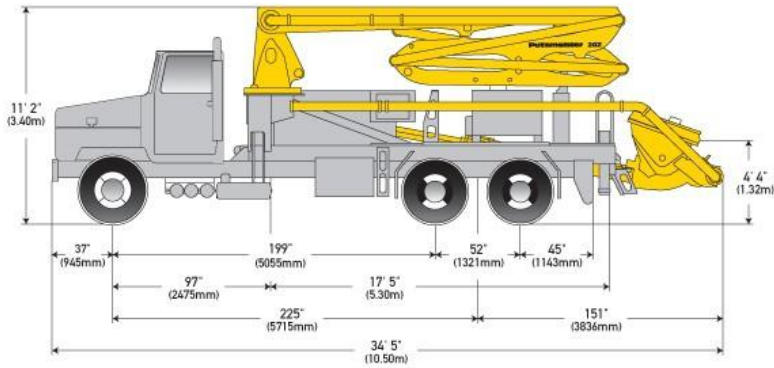




20Z-METER

PUTZMEISTER TRUCK-MOUNTED CONCRETE BOOM PUMP

Our 2017 Putzmeister 20Z-Meter has a vertical reach of 63'-10" and a horizontal reach of 53'-11". The compact design provides exceptional maneuverability for busy urban job sites while providing the power necessary for a wide variety of applications. The four-section, Multi-Z Boom can begin a pour before the boom is completely unfolded. Concrete placing challenges and low ceiling heights are easily tackled with the Z-Boom design. A swivel elbow off the back-end with a 90-degree pivot allows the 20Z to also be used as a City Pump.

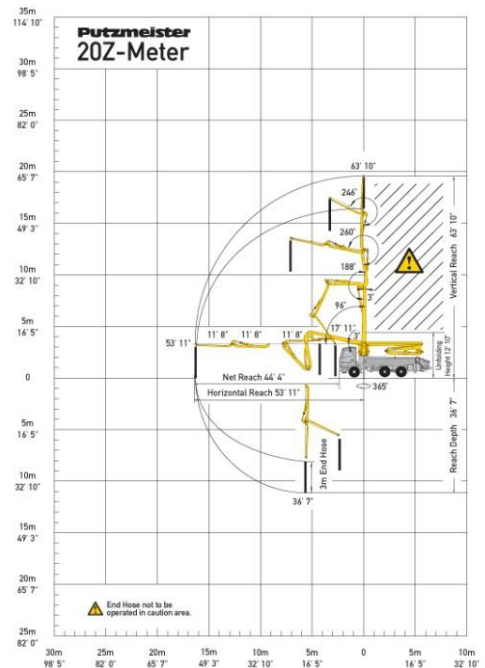


MODEL SPECIFICATIONS

Vertical Reach	63' 10"	(19.46m)
Horizontal Reach	53' 11"	(16.43m)
Reach from front of truck	44' 4"	(13.51m)
Reach Depth	36' 7"	(11.15m)
Unfolding Height	12' 10"	(3.91m)
Front Axle Weight	10,764 lbs.	(4,882kg)
Rear Axle Weight	27,240 lbs.	(12,356kg)
Approximate Total Weight	38,004 lbs.	(17,239kg)

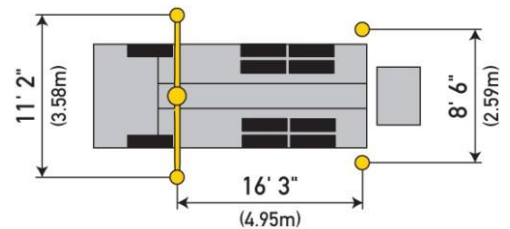
BOOM: MULTI-Z DESIGN

1st Section Length	17' 11"	(5.46m)
2nd Section Length	11' 8"	(3.56m)
3rd Section Length	11' 8"	(3.56m)
4th Section Length	11' 8"	(3.56m)



OUTRIGGER LOADS: FRONT AND REAR

Outrigger spread: L-R-front pull out & hydraulically extend down	11' 2"	(3.40m)
Outrigger spread: L-R-rear hydraulically extend down	8' 6"	(2.59m)
Outrigger load: Front	23,605 lbf	(105 kN)
Outrigger load: Rear	14,615 lbf	(65 kN)



Maison Concrete Placement Systems
 949 Sumner Ave, Whitehall, PA 18052
 Phone: (610) 821-1325 Fax: (610) 821-1326
 www.maisonpumping.com

