



WHEEL LOADER

CASE
621D



- Tilting Hood for Easy Maintenance
- Anti-Slip Device Equipped Axles Assure Optimum Drive on Any Terrain and the Least Possible Tire Wear
- 4x3 Powershift Transmission Works on Either Automatic or Manual Mode
- Speed Reduction System for Entering into the Material Pile
- Hydraulic System Features Variable Flow Pump Assures the Least Fuel Consumption

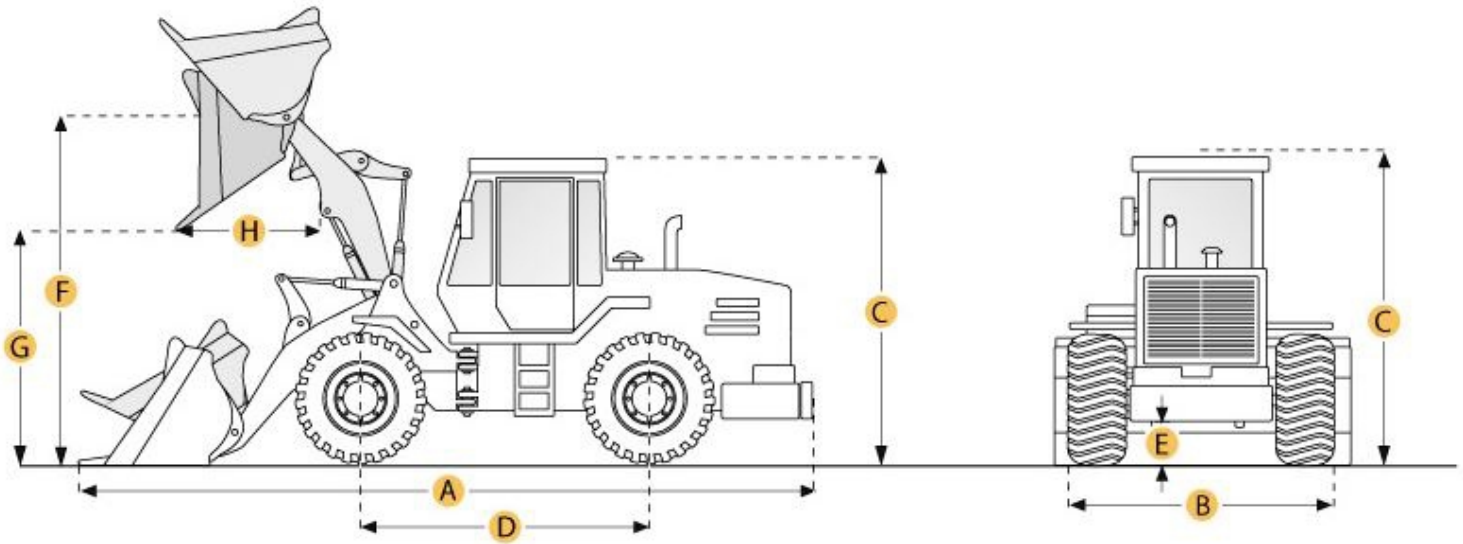
Maison Concrete Placement Systems
949 Sumner Ave, Whitehall, PA 18052
Phone: (610) 821-1325 Fax: (610) 821-1326
www.maisonpumping.com





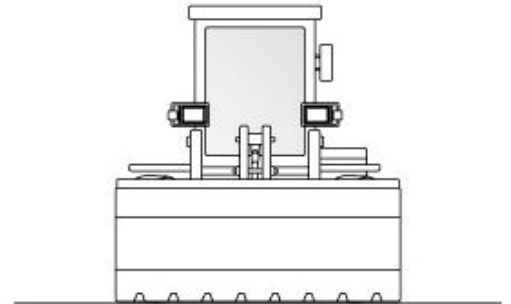
WHEEL LOADER

CASE 621D



MODEL SPECIFICATIONS

Engine	Case Family III 668TA/M2	
Operating Weight	26083 lb	11831 kg
Length with Bucket on Ground	23.1 ft in	7036 mm
Width Over Tires	7.8 ft in	2382 mm
Height to Top of Cab	10.8 ft in	3306 mm
Ground Clearance	1.6 ft in	474 mm
Wheelbase	9.5 ft in	2900 mm
Hinge Pin - Max Height	12.6 ft in	3835 mm
Reach at Max Lift and Dump	3.3 ft in	1013 mm



Dimensions & Weights

Bucket		
G. Dump Clearance at Max Raise	9.2 ft in	2806 mm
Dimensions		
A. Length with Bucket on Ground	23.1 ft in	7036 mm
B. Width Over Tires	7.8 ft in	2382 mm
C. Height to Top of Cab	10.8 ft in	3306 mm
D. Wheelbase	9.5 ft in	2900 mm
E. Ground Clearance	1.6 ft in	474 mm
F. Hinge Pin - Max Height	12.6 ft in	3835 mm
H. Reach at Max Lift and Dump	3.3 ft in	1013 mm

Maison Concrete Placement Systems
 949 Sumner Ave, Whitehall, PA 18052
 Phone: (610) 821-1325 Fax: (610) 821-1326
www.maisonpumping.com

